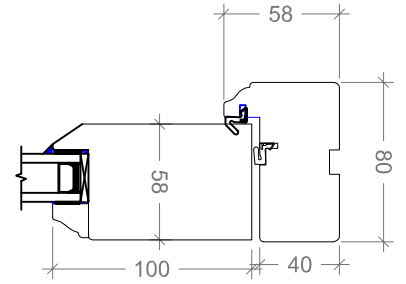
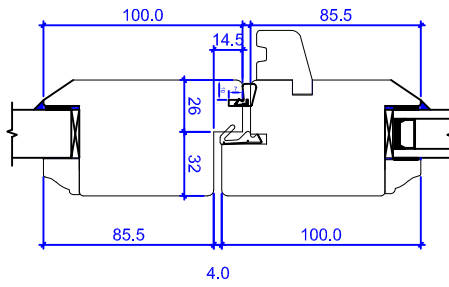
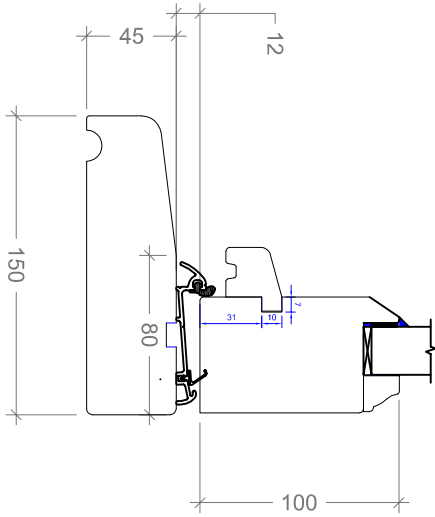
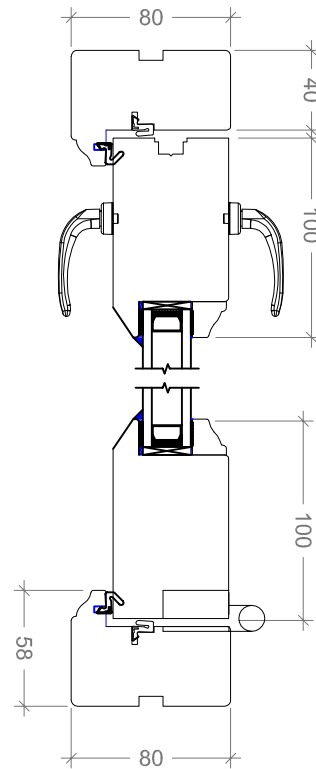


VERTICAL SECTION  
Stable Door

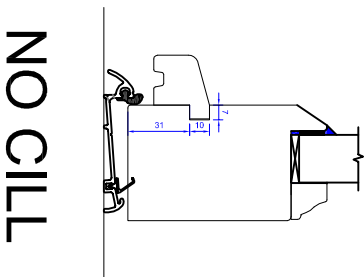
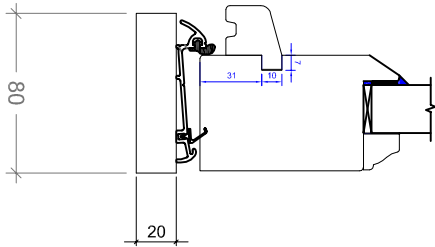


HORIZONTAL SECTION



CILL OPTION - A

CILL OPTION - B



NO CILL

Drawing number  
PJ006-07

Drawn by - date  
J Connelly 10/09/2013

Checked by - date

Approved by - date

Scale  
Not to scale

Rev no  
2

**PATCHETT**  
JOINERY  
ESTABLISHED 1740

All dimensions in millimetres  
unless otherwise stated

Title/Description  
Stable Door Sectional

This drawing shall only be used for the purpose for which it is provided and no reproduction of this drawing may be made and no article may be manufactured without prior written consent of Patchett Joinery Ltd